

CelluMak A900 Insulation Blowing Machine

CelluMAK A900

- Insulation blowing machines separate the compressed cellulose wool fibres which come in bales, and blow them through the conveyor hose using airflow to the desired location.
- The CelluMak A900 is suitable for open blowing, dry injection, cavity insulation and wet spraying methods. Wet spraying requires additional equipment, consisting of a high pressure glue pump, a spray head and high pressure connection hoses.
- The CelluMak A900 insulation blower is able to process 950kg cellulose fibres per hour. The peak performance may vary with different fibres.
- The CelluMAK A900 system can be easily deployed in the construction environments with its movable wheels. It is powered by a single 16A electrical line.
- The CelluMAK A900 System is a ready-to-use application system that includes all accessories for open and dry blowing. It comes with a standard size of 25m conveyor hose. It is also fitted with a wireless remote control system with a range of approximately 60m.
- For wet spraying, glue pump assembly and spray heads required that can be also obtained from CelluMAK.
- The CelluMAK A900 insulation blowing machine is specifically designed to meet the demand of European countries for high performance in laying and filling injection processes, and shows full CE compliance. The CelluMAK A900 model can blow 950 kgs of cellulose fiber per hour. Different types of fibre may impact the maximum capacity.



Remote Control with 60m operation range (open air)

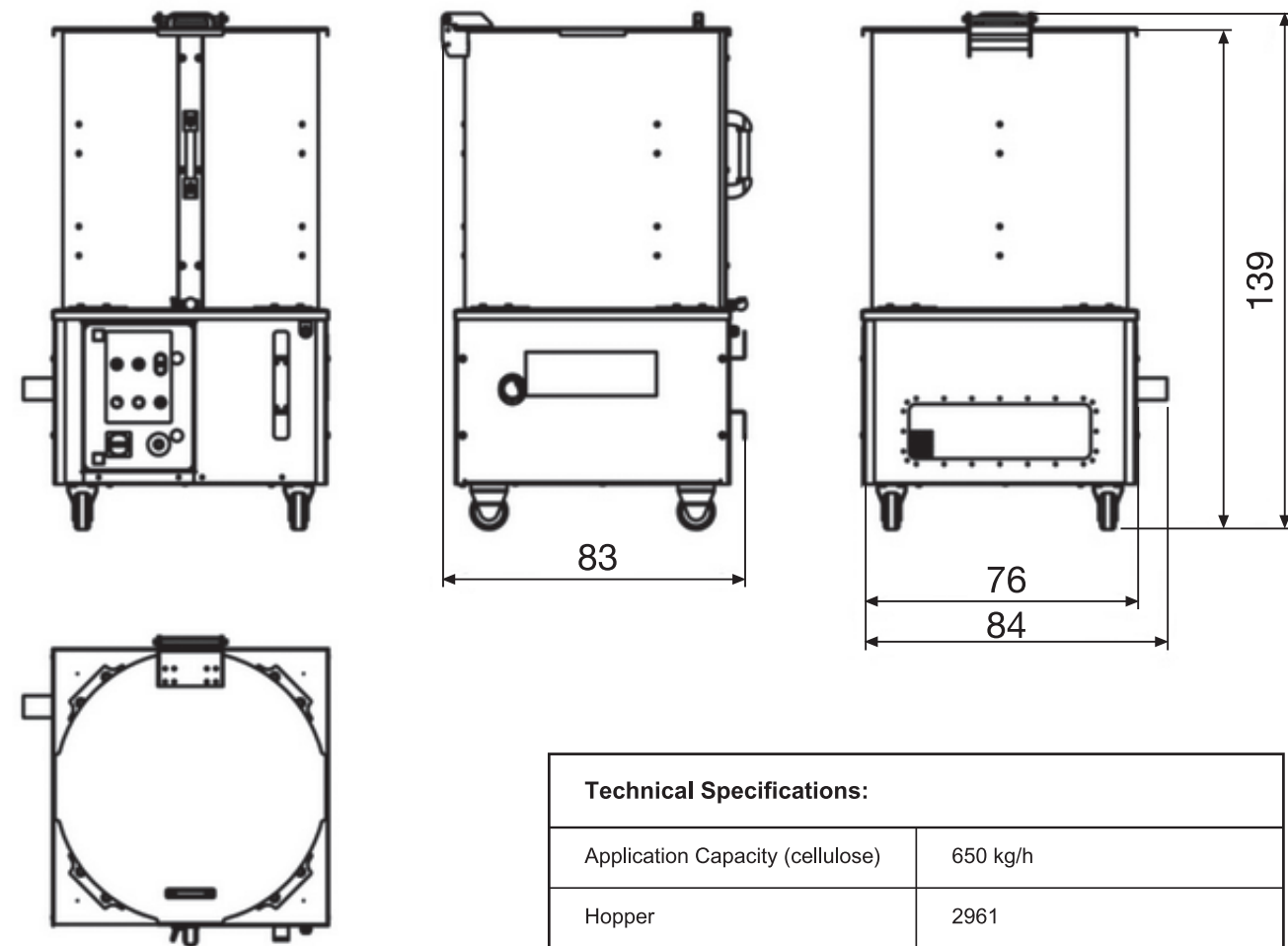
CelluMak A450 Insulation Blowing Machine

CelluMAK A450

- Insulation blowing machines separate the compressed cellulose wool fibres which come in bales, and blow them through the conveyor hose using airflow to the desired location.
- The CelluMak A450 is suitable for open blowing, dry injection, cavity insulation and wet spraying methods. Wet spraying requires additional equipment, consisting of a high pressure glue pump, a spray head and high pressure connection hoses.
- The CelluMak A450 insulation blower is able to process 650kg cellulose fibres per hour. The peak performance may vary with different fibres.
- The CelluMAK A450 system can be easily deployed in the construction environments with its movable wheels. It is powered by a single 16A electrical line.
- The CelluMAK A450 System is a ready-to-use application system that includes all accessories for open and dry blowing.
- For wet spraying, glue pump assembly and spray heads required that can be also obtained from CelluMAK.
- The CelluMAK A450 insulation blowing machine is specifically designed to meet the demand of European countries for high performance in laying and filling injection processes, and shows full CE compliance. The CelluMAK A450 model can blow 650 kgs of cellulose fiber per hour. Different types of fibre may impact the maximum capacity.

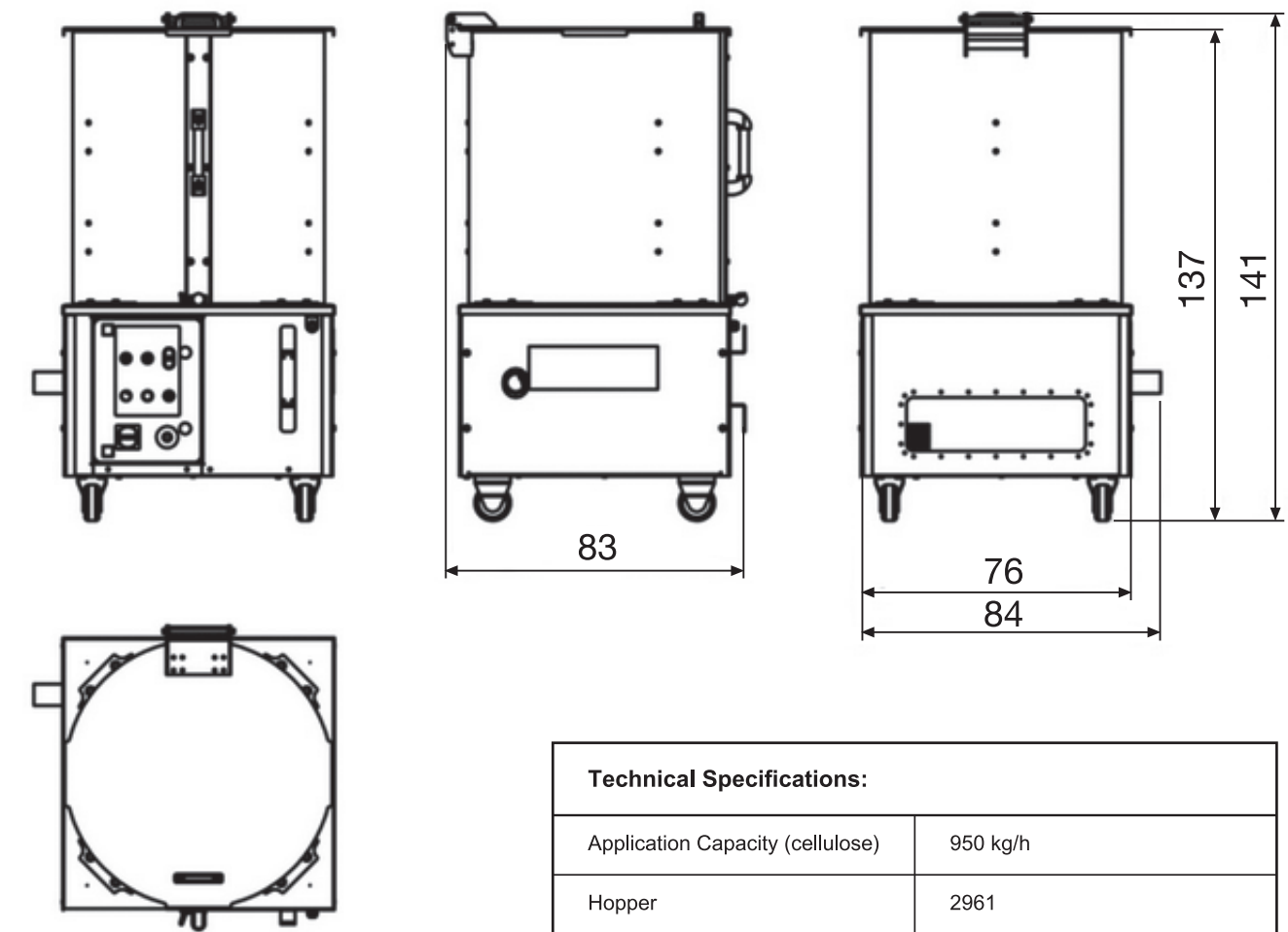


CelluMak A450 Insulation Blowing Machine



Technical Specifications:	
Application Capacity (cellulose)	650 kg/h
Hopper	2961
Diameter of injection hose	2 1/2" / 63.5 mm
Overall size (LxWxH)	83cm x 84cm x 139cm
Empty weight	165kg
Control options	manuel / remote
Fan control(%)	0-100% proportional adjustable
Fan type	2 x 1 kW 3-stage radial blower
Main drive	1.5 kW
Overall energy consumption	3.5 kW
Electrical connection	230V / 50Hz/16A
Operating temperature	-10°C .. 40°C

CelluMak A900 Insulation Blowing Machine



Technical Specifications:	
Application Capacity (cellulose)	950 kg/h
Hopper	2961
Diameter of injection hose	2 1/2" / 63.5 mm
Overall size (LxWxH)	83cm x 84cm x 141cm
Empty weight	165kg
Control options	manuel / remote
Fan control(%)	0-100% proportional adjustable
Fan type	2 x 1 kW 3-stage radial blower
Main drive	1.5 kW
Overall energy consumption	3.5 kW
Electrical connection	230V / 50Hz/16A
Operating temperature	-10°C .. 40°C